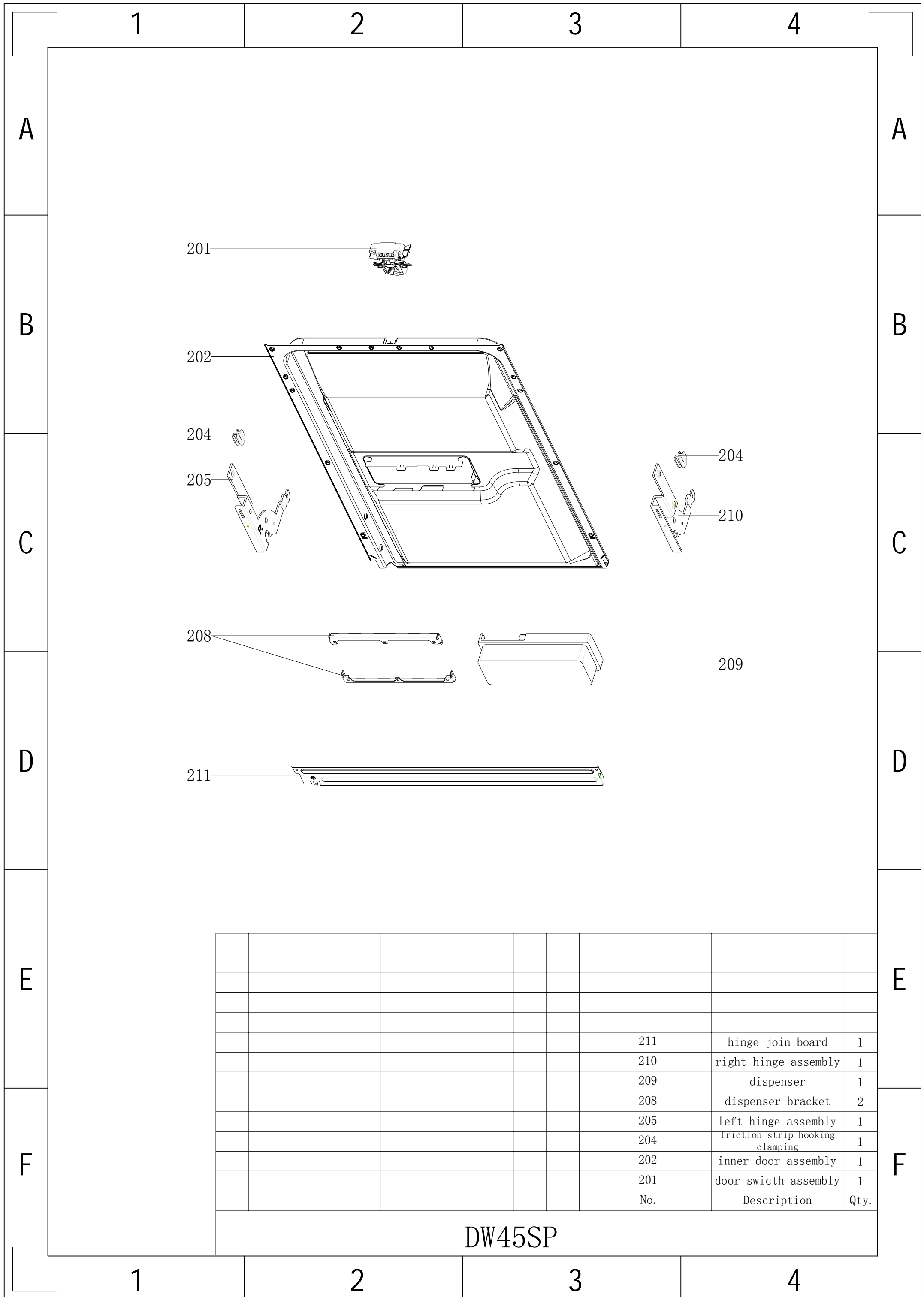


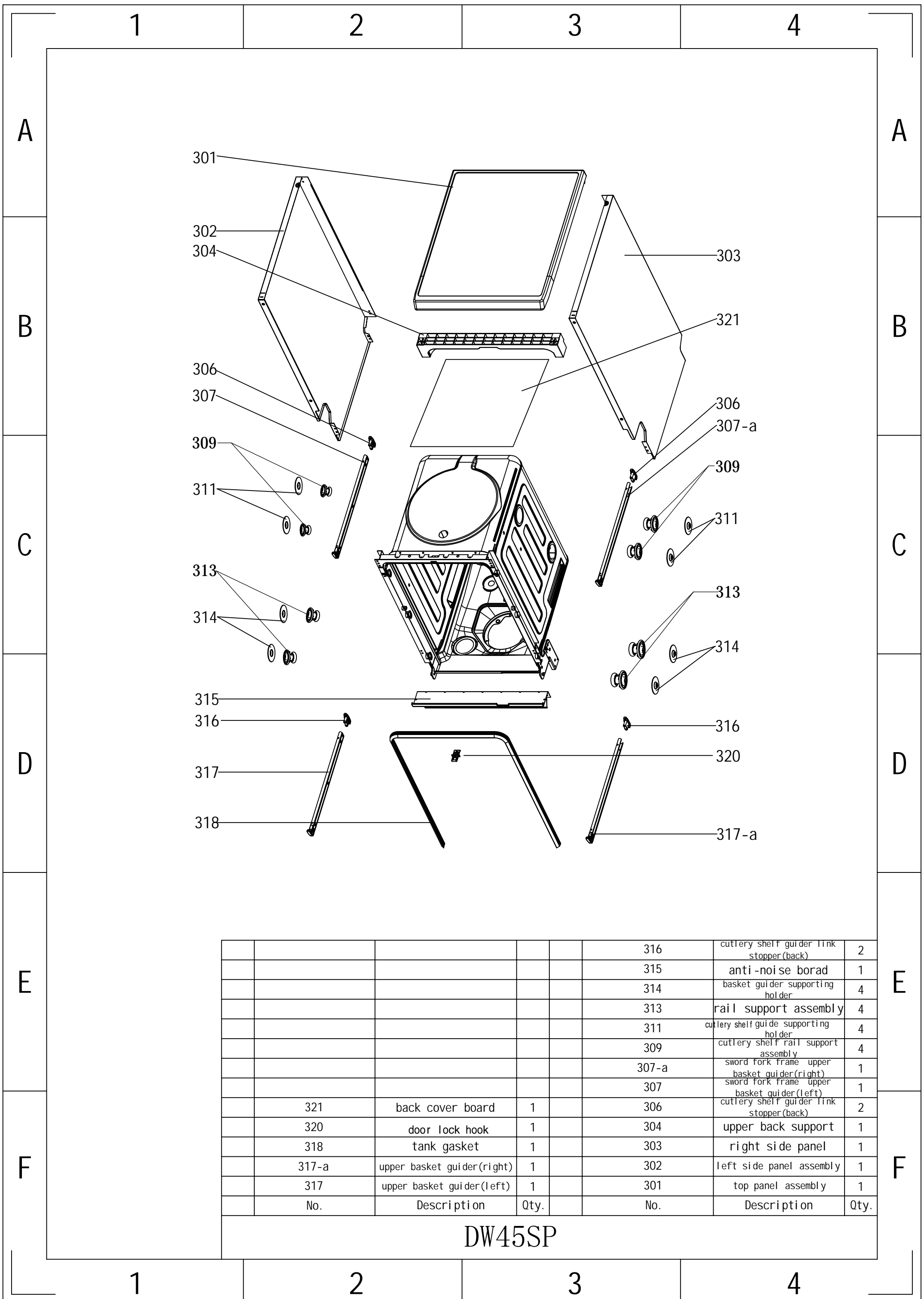
| | | | | | | | | |
|--|--|--|--|--|--|-----|------------------|------|
| | | | | | | | | |
| | | | | | | | | |
| | | | | | | | | |
| | | | | | | | | |
| | | | | | | 110 | baseboard | 1 |
| | | | | | | 109 | out door | 1 |
| | | | | | | 107 | control panel | 1 |
| | | | | | | 106 | display cover | 1 |
| | | | | | | 105 | button | 1 |
| | | | | | | 104 | button | 1 |
| | | | | | | 103 | button | 1 |
| | | | | | | 102 | display pcb | 1 |
| | | | | | | 101 | waterproof cover | 1 |
| | | | | | | No. | Description | Qty. |

DW45SP



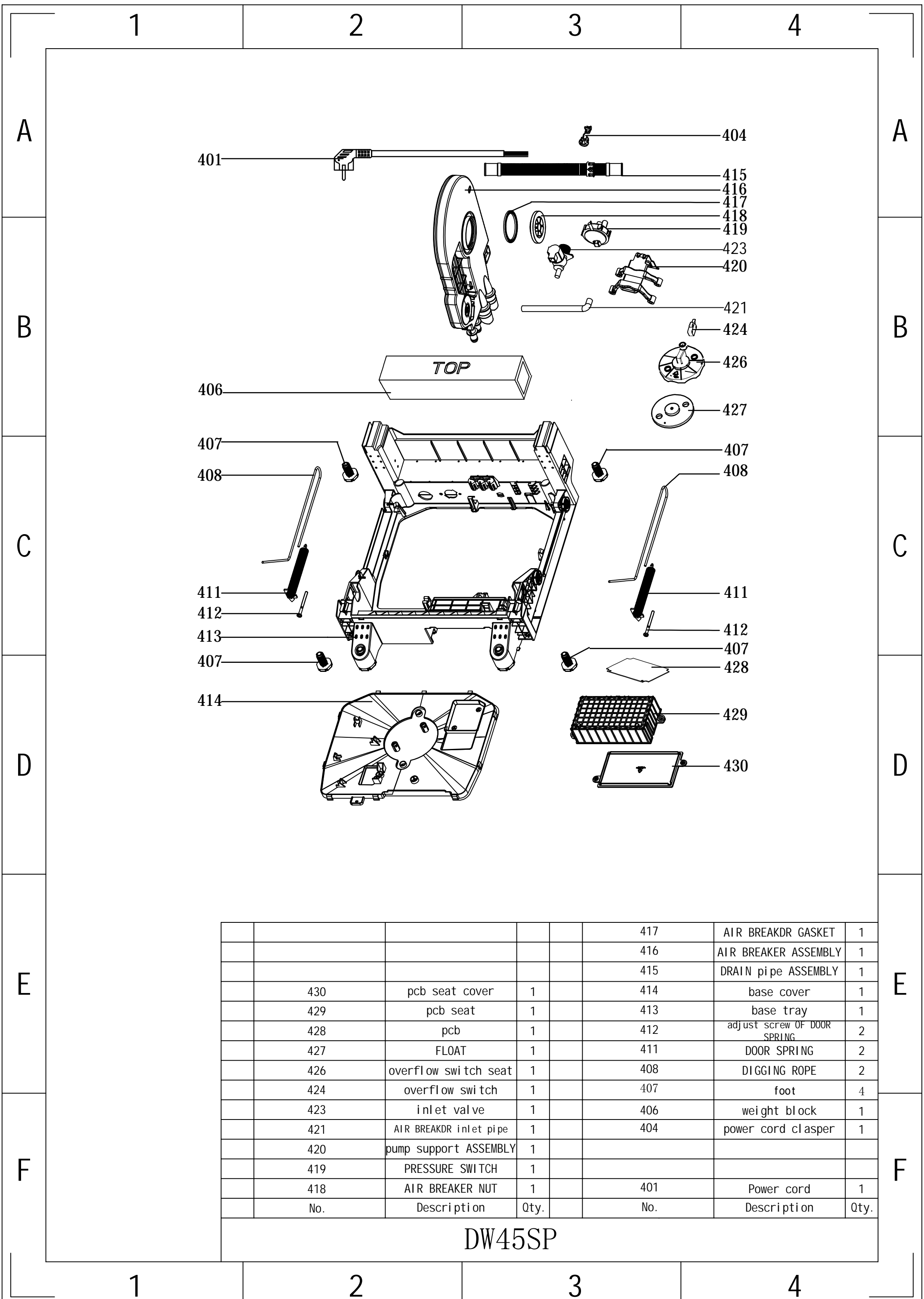
| | | | | | | | | | |
|--|--|--|--|--|--|-----|------------------------------------|------|--|
| | | | | | | | | | |
| | | | | | | | | | |
| | | | | | | | | | |
| | | | | | | | | | |
| | | | | | | | | | |
| | | | | | | 211 | hinge join board | 1 | |
| | | | | | | 210 | right hinge assembly | 1 | |
| | | | | | | 209 | dispenser | 1 | |
| | | | | | | 208 | dispenser bracket | 2 | |
| | | | | | | 205 | left hinge assembly | 1 | |
| | | | | | | 204 | friction strip hooking clamping | 1 | |
| | | | | | | 202 | inner door assembly | 1 | |
| | | | | | | 201 | door switch assembly | 1 | |
| | | | | | | No. | Description | Qty. | |

DW45SP



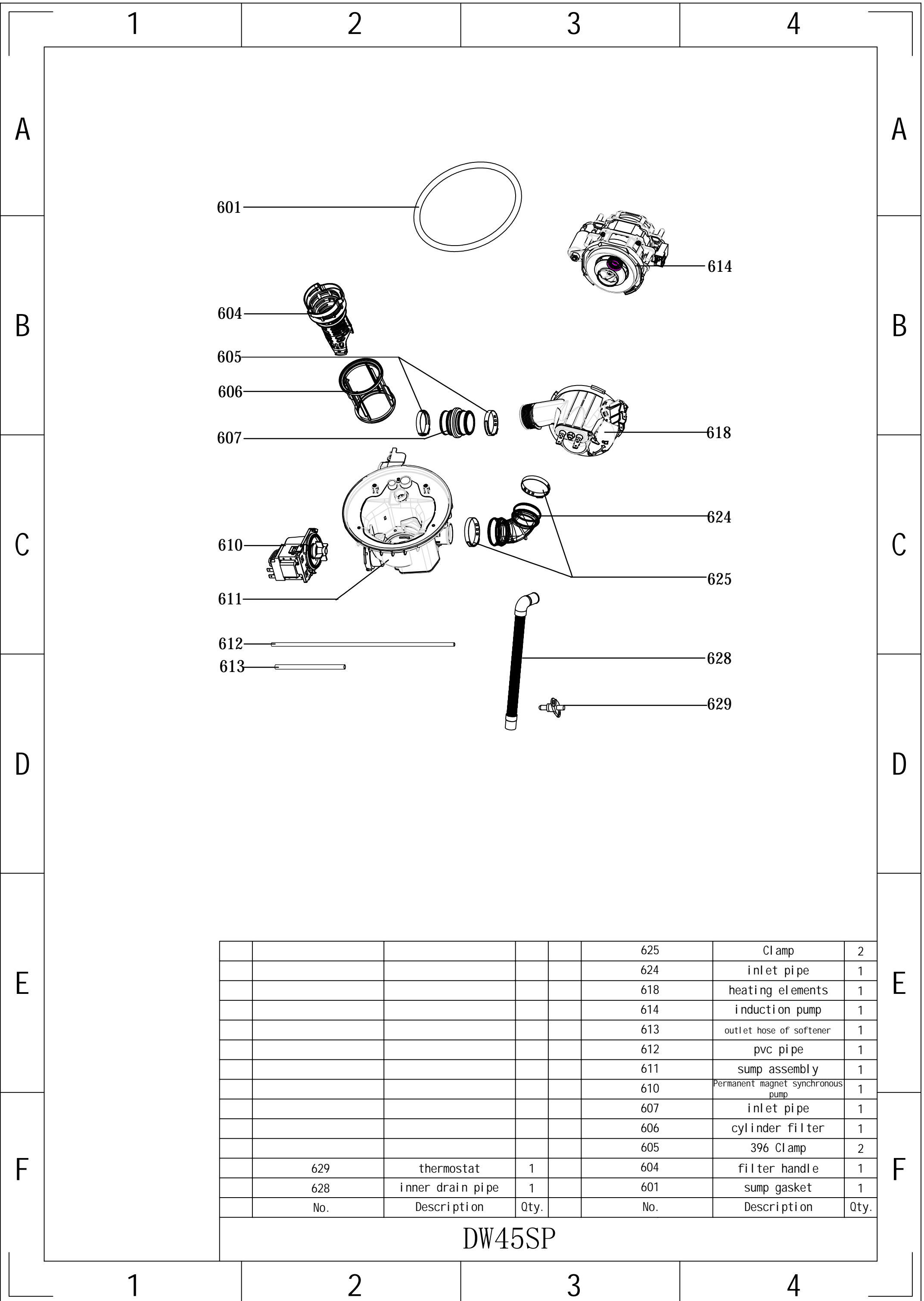
| | | | | | | | |
|--|-------|----------------------------|------|--|-------|---|------|
| | | | | | 316 | cutlery shelf guider link stopper(back) | 2 |
| | | | | | 315 | anti-noise board | 1 |
| | | | | | 314 | basket guider supporting holder | 4 |
| | | | | | 313 | rail support assembly | 4 |
| | | | | | 311 | cutlery shelf guide supporting holder | 4 |
| | | | | | 309 | cutlery shelf rail support assembly | 4 |
| | | | | | 307-a | sword fork frame upper basket guider(right) | 1 |
| | | | | | 307 | sword fork frame upper basket guider(left) | 1 |
| | 321 | back cover board | 1 | | 306 | cutlery shelf guider link stopper(back) | 2 |
| | 320 | door lock hook | 1 | | 304 | upper back support | 1 |
| | 318 | tank gasket | 1 | | 303 | right side panel | 1 |
| | 317-a | upper basket guider(right) | 1 | | 302 | left side panel assembly | 1 |
| | 317 | upper basket guider(left) | 1 | | 301 | top panel assembly | 1 |
| | No. | Description | Qty. | | No. | Description | Qty. |

DW45SP



| | | | | | | | |
|--|-----|------------------------|------|--|-----|-----------------------------|------|
| | | | | | 417 | AIR BREAKDR GASKET | 1 |
| | | | | | 416 | AIR BREAKER ASSEMBLY | 1 |
| | | | | | 415 | DRAIN pi pe ASSEMBLY | 1 |
| | 430 | pcb seat cover | 1 | | 414 | base cover | 1 |
| | 429 | pcb seat | 1 | | 413 | base tray | 1 |
| | 428 | pcb | 1 | | 412 | adjust screw OF DOOR SPRING | 2 |
| | 427 | FLOAT | 1 | | 411 | DOOR SPRING | 2 |
| | 426 | overflow switch seat | 1 | | 408 | DIGGING ROPE | 2 |
| | 424 | overflow switch | 1 | | 407 | foot | 4 |
| | 423 | inlet valve | 1 | | 406 | weight block | 1 |
| | 421 | AIR BREAKDR inlet pipe | 1 | | 404 | power cord clasper | 1 |
| | 420 | pump support ASSEMBLY | 1 | | | | |
| | 419 | PRESSURE SWITCH | 1 | | | | |
| | 418 | AIR BREAKER NUT | 1 | | 401 | Power cord | 1 |
| | No. | Description | Qty. | | No. | Description | Qty. |

DW45SP



| | | | | | | | |
|--|-----|------------------|------|--|-----|-----------------------------------|------|
| | | | | | 625 | Clamp | 2 |
| | | | | | 624 | inlet pipe | 1 |
| | | | | | 618 | heating elements | 1 |
| | | | | | 614 | induction pump | 1 |
| | | | | | 613 | outlet hose of softener | 1 |
| | | | | | 612 | pvc pipe | 1 |
| | | | | | 611 | sump assembly | 1 |
| | | | | | 610 | Permanent magnet synchronous pump | 1 |
| | | | | | 607 | inlet pipe | 1 |
| | | | | | 606 | cylinder filter | 1 |
| | | | | | 605 | 396 Clamp | 2 |
| | 629 | thermostat | 1 | | 604 | filter handle | 1 |
| | 628 | inner drain pipe | 1 | | 601 | sump gasket | 1 |
| | No. | Description | Qty. | | No. | Description | Qty. |

DW45SP

1

2

3

4

A

A

B

B

C

C

D

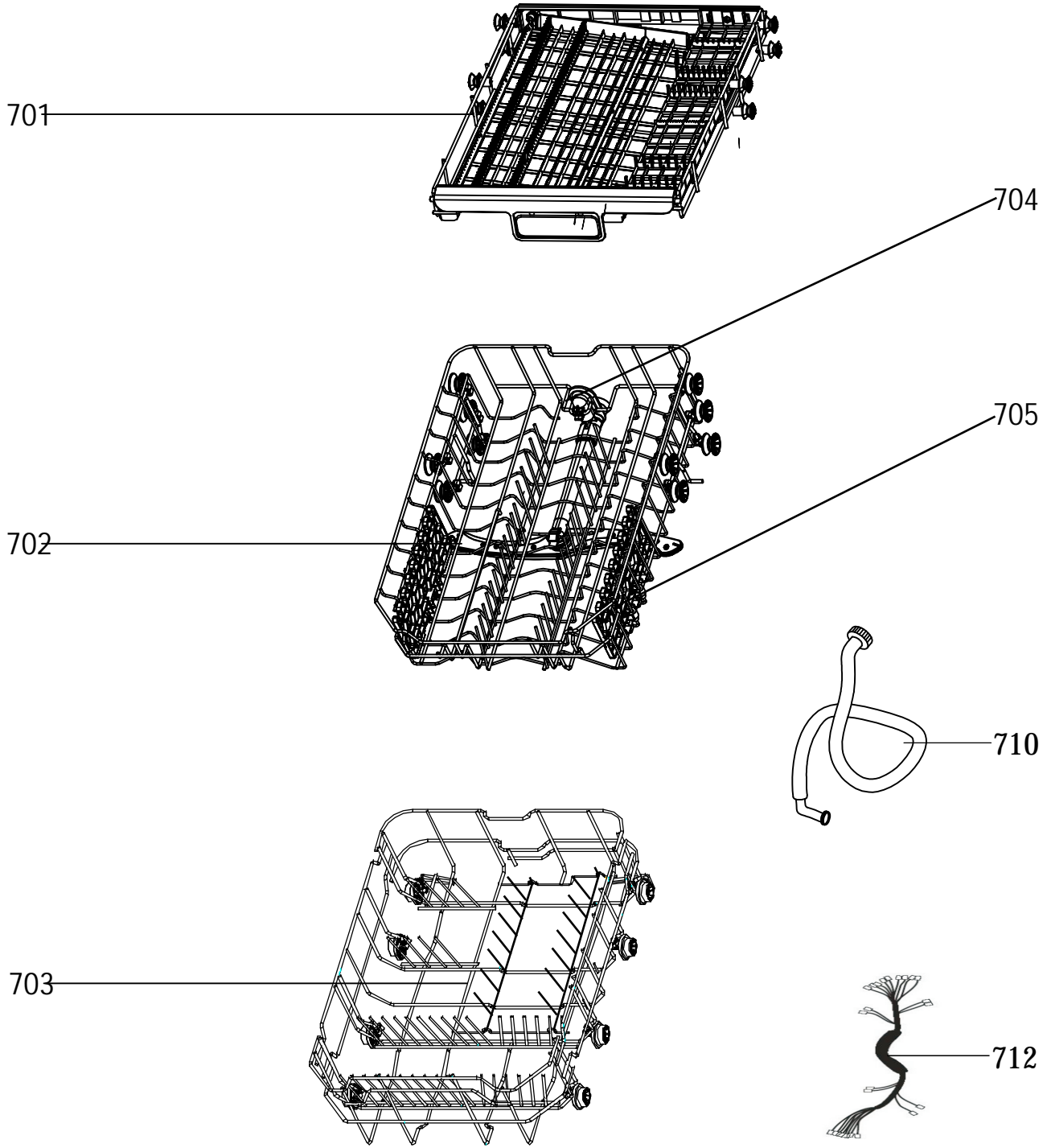
D

E

E

F

F



| | | | | | | | |
|--|--|--|--|--|-----|-----------------------|------|
| | | | | | | | |
| | | | | | | | |
| | | | | | | | |
| | | | | | | | |
| | | | | | | | |
| | | | | | 712 | wiring harness | 1 |
| | | | | | 710 | inlet hose assembly | 1 |
| | | | | | 705 | cup rack | 2 |
| | | | | | 704 | Spray arm | 1 |
| | | | | | 703 | lower basket assembly | 1 |
| | | | | | 702 | Upper basket | 1 |
| | | | | | 701 | cutlery assembly | 1 |
| | | | | | No. | Description | Qty. |

DW45SP

1

2

3

4